

WiFi LED Controller

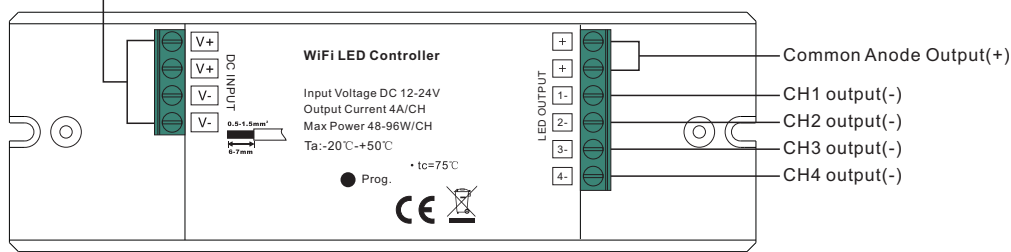
70020066



Important: Read All Instructions Prior to Installation

Function introduction

12V/24VDC Power Input



Product Data

No.	Input Voltage	Output Current	Output Power	Remarks	Size(LxWxH)
1	12-24VDC	4x4A	4x(48-96)W	Constant voltage	145x46.5x16mm

- WiFi LED controller
- 4 channels 12/24V constant voltage output
- Max. 4A output per channel
- Waterproof grade: IP20

Safety & Warnings

- DO NOT install with power applied to device.
- DO NOT expose the device to moisture.

Operation

1. Do wiring according to wiring diagram.

2. Pair the WiFi LED controller to the smart phone or tablet:

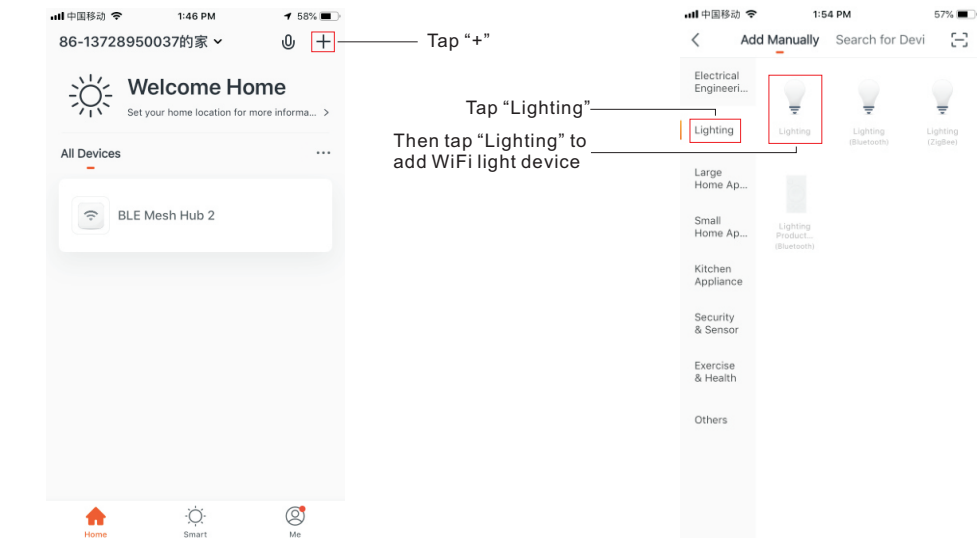
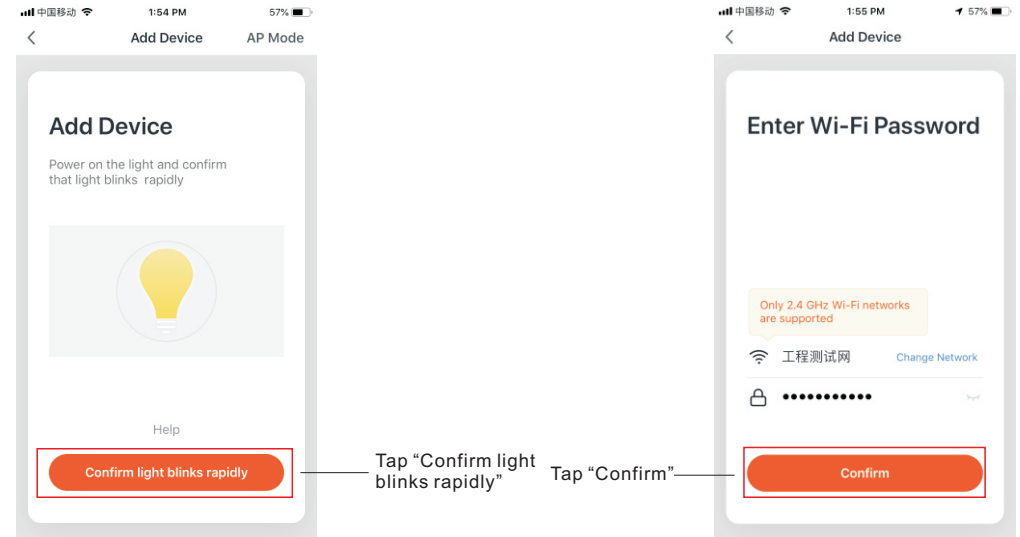
Step 1: Download the "TuyaSmart" APP from APP store or google play, and register an account as instructed.

Step 2: Connect your smart phone or tablet WiFi to your home router network.

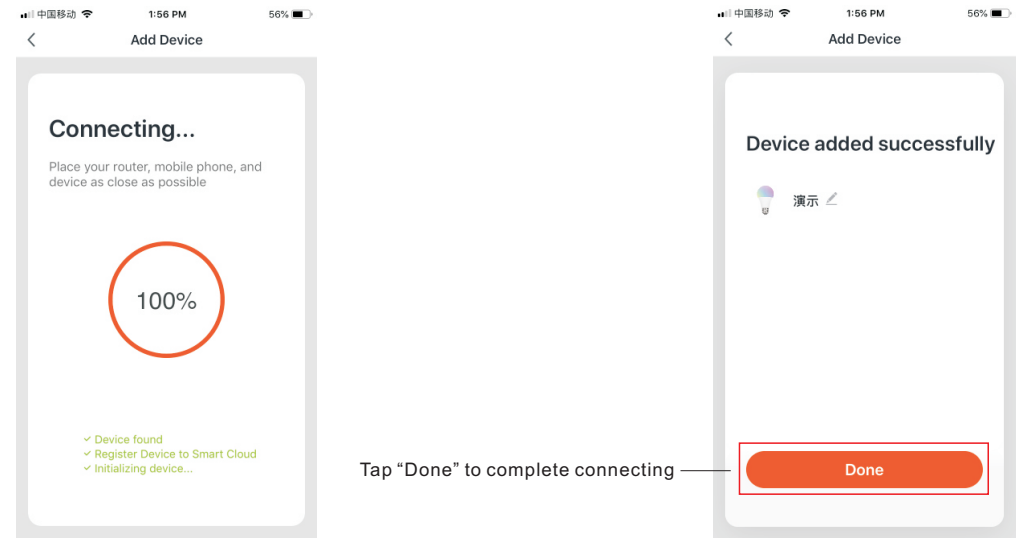
Step 3: Run the "TuyaSmart" APP on your smart phone or tablet, and add the WiFi LED controller.

Step 4: Reset power of the WiFi LED controller 3 times to set it into connecting mode, and LED light blinks rapidly.

Step 5: Confirm that the WiFi LED controller is under connecting mode and configure it to the WiFi network which your smart phone or tablet connected to.



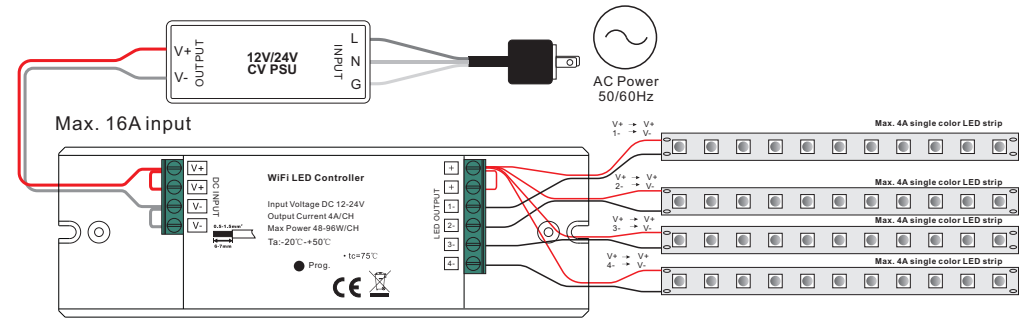
Step 6: Connecting starts, the WiFi LED controller will appear on the APP interface once added successfully.



Step 7: You can control the WiFi LED controller through the APP.



Wiring Diagram



3. Remove the WiFi LED controller from the APP interface.

